

## Filter Fan



## Description

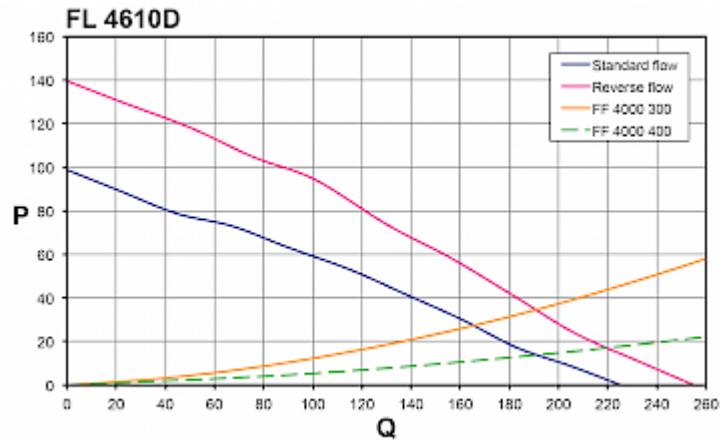
<b>Order Number:</b>	4610D7000
<b>Brand Name:</b>	SOLIFLEX
<b>Color:</b>	RAL 7035
<b>Housing Material:</b>	ABS Plastic
<b>Ingress protection:</b>	IP 54, Type 12, 3R
<b>Optional:</b>	Different housing colours available on request With NEMA 3R protection part no. 4610D7030
<b>Approvals:</b>	CE, cURus, cULus, CSA

## Technical data

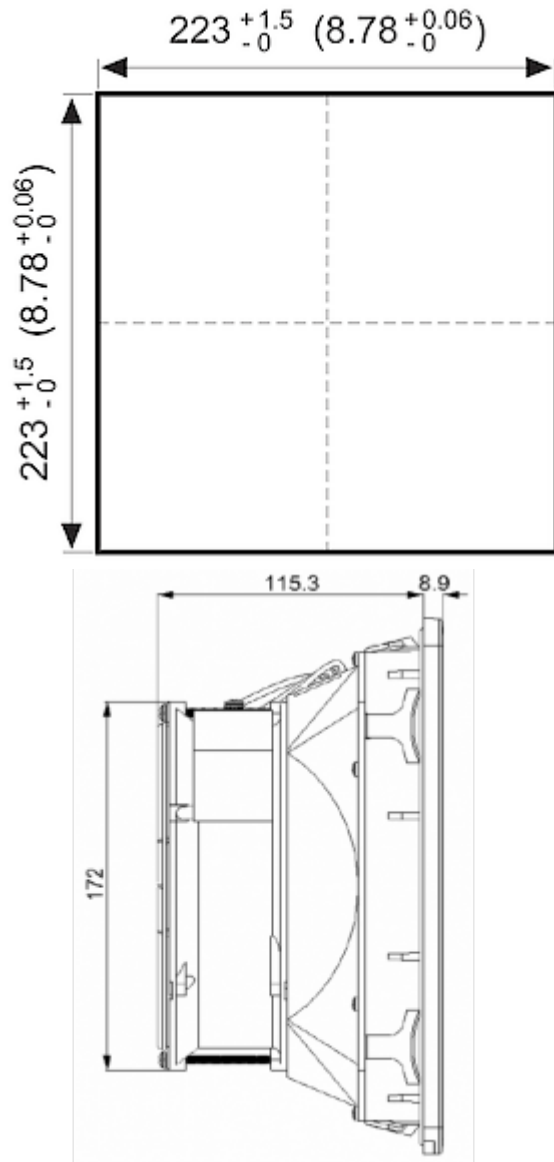
<b>Operating temperature range:</b>	14°F - +131°F
<b>Air volume flow unimpeded:</b>	132 cfm
<b>Static pressure:</b>	0.40 inH2O
<b>Dimension H x W x D:</b>	9.8 x 9.8 x 4.9 inch
<b>Weight:</b>	3.1 lbs
<b>Cut out dimensions:</b>	8.8 x 8.8 (+0.06) inch
<b>Voltage / Frequency:</b>	48 V DC
<b>Rated current:</b>	0.34 A
<b>Power consumption:</b>	16 W
<b>Wall thickness:</b>	0.06 - 0.10 in.
<b>Filter class:</b>	G3 according to EN 779
<b>Installation:</b>	Elastic clips or by 4 self-threading screws
<b>Noise level:</b>	60 dB(A)

**Air flow:**

Q = Air flow [m3/h]  
P = Static pressure [Pa]



**Cut out dimensions:**



## Order Information

<b>In RAL 9005</b>	4610D7003
<b>Taric code</b>	84145915
<b>GTIN (EAN)</b>	5350604100466