

Thermoelectric dehumidifier



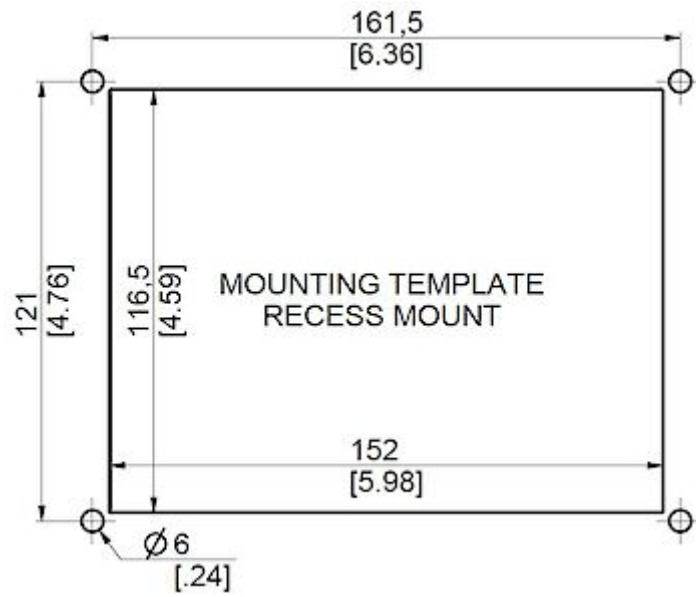
Description

Order Number:	3039303
Brand Name:	SOLIFLEX
Color:	Black
Housing Material:	PC UL94V-0
Note:	Use a class 2 power unit (UL)
Approvals:	CE, cURus

Technical data

Condensation rate:	25 ml/hr
Operating temperature range:	32°F - 149°F
Mounting:	Recessed, DIN rail, enclosure floor Optional wall mounting with mounting frame 1019305
Dimension H x W x D:	6.9 x 5.4 x (2.8 - 2.4) inch
Weight:	4 lbs.
Cut out dimensions:	152 x 117.5 mm
Voltage / Frequency:	24 V DC
Rated current:	2.1 A
Starting current:	3.1 A
Max. current:	2.4 A
Power consumption:	50 W
Max. power:	58 W
Fuse:	4 A (T)
Connection:	Connection terminal block

Cut out dimensions:



Order Information

Mit Kondensatpumpe Bestell Nr.

3039309