

## Mechanical hygrostat



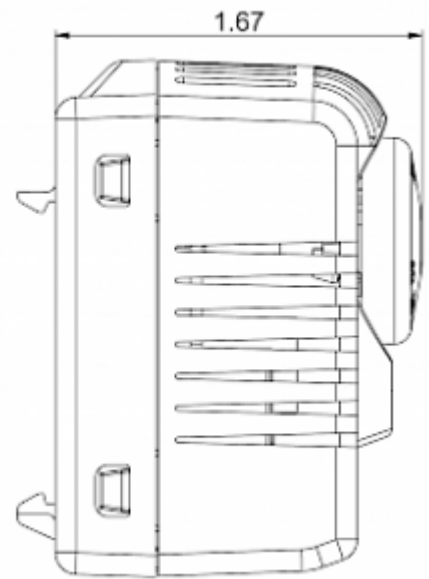
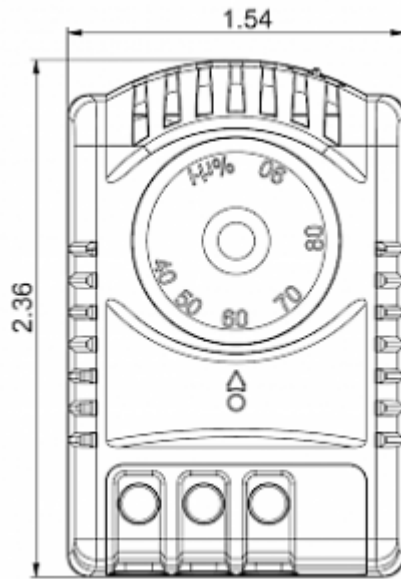
## Description

|   |                                    |
|---|------------------------------------|
| <b>Order Number:</b>                    | 301410                             |
| <b>Brand Name:</b>                      | SOLIFLEX                           |
| <b>Color:</b>                           | Grey (RAL 7011)                    |
| <b>Housing Material:</b>                | PC plastic                         |
| <b>Ingress protection to EN 60 529:</b> | IP 20                              |
| <b>Note:</b>                            | Hyst. 5%r.H. / Sw.Pt.tol $\pm 4\%$ |
| <b>Approvals:</b>                       | CE, cURus                          |
| <b>UL File Number:</b>                  | E358385                            |

## Technical data

|                                     |  |
|-------------------------------------|--|
| <b>Operating temperature range:</b> | 32°F - 140°F / 95 %  |
| <b>Setting range:</b>               | 40% - 90%r.H.  |
| <b>Mounting:</b>                    | Clips for DIN rail 1.38 inch   |
| <b>Dimension H x W x D:</b>         | 2.36 x 1.54 x 1.67 inch  |
| <b>Voltage / Frequency:</b>         | max. 230 V AC<br>2 A (hum) / 5 A (dehum)   |
| <b>Lifetime:</b>                    | 30k Cycles   |
| <b>Connection:</b>                  | 3-pole terminal, clamping torque 0.5Nm max.<br>solid wire - AWG 14 max., stranded wire - AWG 16 max. |

**Cut out  
Dimensions:**



## Order Information

|                        |               |
|------------------------|---------------|
| <b>Zolltarifnummer</b> | 90321080      |
| <b>EAN Nummer</b>      | 5350604010444 |