

Electronic thermostat



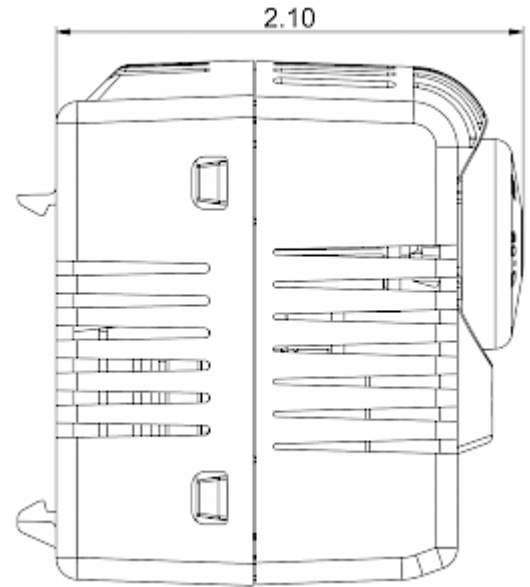
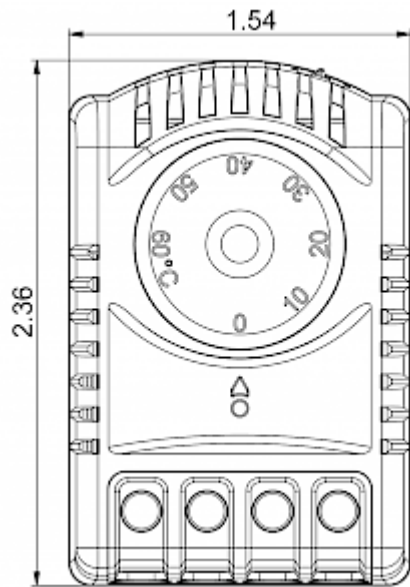
Description

Order Number:	301510
Color:	Grey (RAL 7011)
Housing Material:	PC plastic
Ingress protection to EN 60 529:	IP 20
Note:	Hyst. 3K / Sw. Pt. tol 3K
Approvals:	CE, cURus
UL File Number:	E358385

Technical data

Operating temperature range:	-25°C - 70°C / 95% int. sensor -25°C - 80°C / 95% ext. sensor
Setting range:	0°C - 60°C
Mounting:	DIN rail 1.38 inch
Dimension H x W x D:	2.36 x 1.54 x 2.10 inch
Weight:	1.97 oz.
Voltage / Frequency:	24 V DC / 16 A
Lifetime:	100,000 hrs.

**Cut out
Dimensions:**



Order Information

Zolltarifnummer	90321020
EAN Nummer	5350604010499