

LED enclosure light 400 Lm



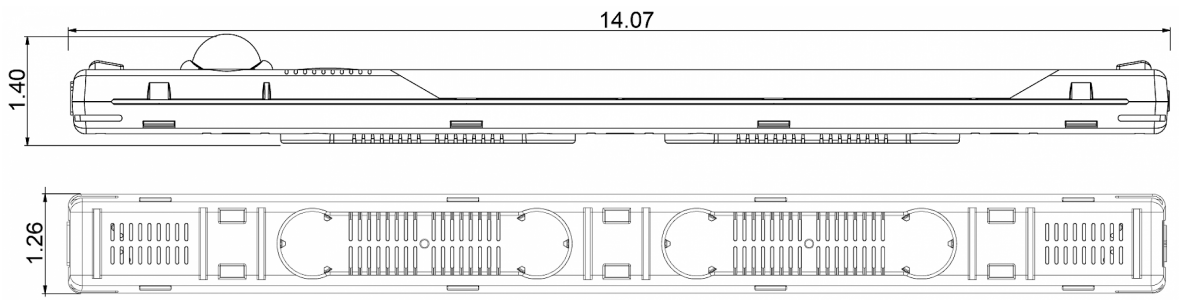
Description

Order Number:	400400
Brand Name:	stripLite
Color:	Top cover transparent / body blue
Housing Material:	PC plastic
Ingress protection to EN 60 529:	IP 20
Included:	Built-in Motion Sensor, switch off time 5 min. Mounting accessories
Note:	class II Energy class G
Approvals:	CE, cURus

Technical data

Operating temperature range:	-22°F -158°F UL max temp: 140°F
Mounting:	Magnets / clips
Dimension H x W x D:	14.07 x 1.26 x 1.4 inch
Weight:	140 gr.
Voltage / Frequency:	24-265 V DC/AC ~ 0/50/60 Hz
Power consumption:	4 Watt
Lamp:	LED, 7400K
Luminosity:	400 Lm
Lifetime:	50,000 hrs. @ 68°F
Connection:	srew less push in connector

**Cut out
Dimensions:**



Order Information

Zolltarifnummer

94054231
