

Fan assisted resistor heater



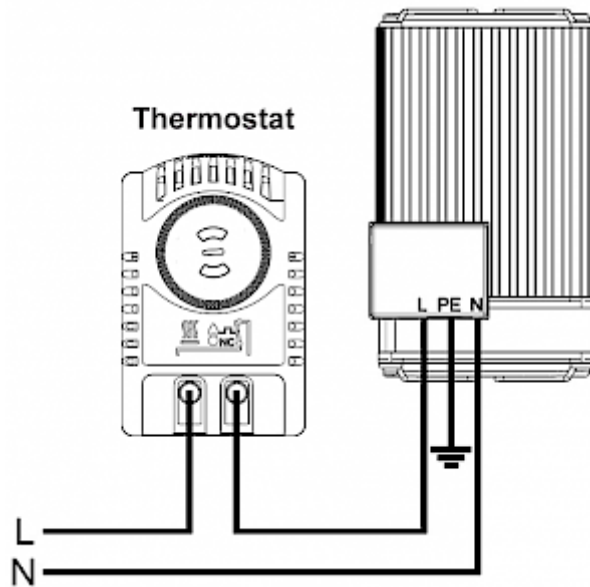
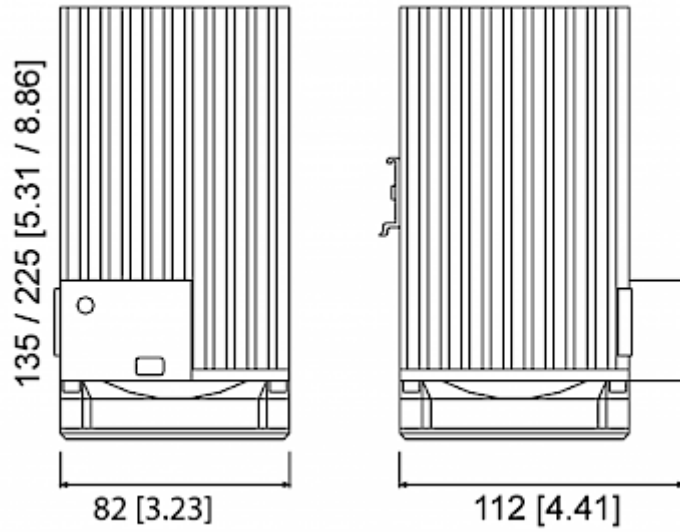
Description

Order Number:	503751
Brand Name:	SOLIFLEX
Color:	silver
Housing Material:	Aluminum
Ingress protection:	IP 20
Note:	PTC resistance self-regulating
Approvals:	CE, cURus

Technical data

Heating power at 50°F:	750 W
Operating temperature range:	-13°F - +158°F
Mounting:	DIN rail
Dimension H x W x D:	8.8 x 4.4 x 3.2 inch
Weight:	3 lbs.
Voltage / Frequency:	120 V ~ 50/60 Hz
Max. current:	7.2 A
Fan air flow, approx.:	26 cfm
Connection:	3 screw terminals for stranded or rigid wire AWG 14

Cut out dimensions:



Order Information

Zolltarifnummer	85162999
EAN Nummer	5350604020177