

Filter fan SF 4711 - 24V



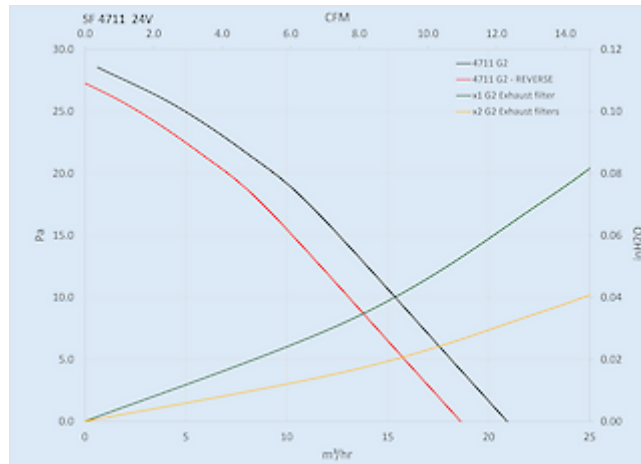
Description

Order Number:	4711322001
Brand Name:	SOLIVENT PRO
Color:	RAL 7035
Housing Material:	PC plastic
Ingress protection to EN 60 529:	IP 54
UL Typ (UL 50E):	12
Approvals:	CE, cURus, cULus
UL File Number:	E498756

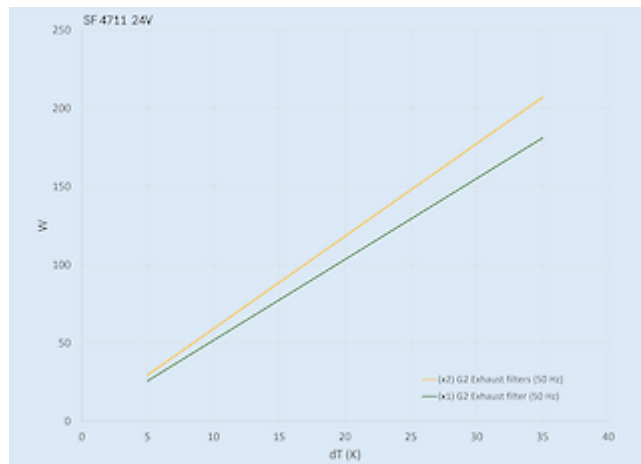
Technical data

Air flow unimpeded IP 54:	12.5 CFM
Air flow with exhaust filter IP 54:	9.1 CFM
Air flow with 2 exhaust filters IP 54:	9.5 CFM
Operating temperature range:	-14°F - 131°F
Storage temperature range:	-40°F - 158°F
Mounting:	Wall mounted
Dimension H x W x D:	4.55 x 4.55 x 3.17 inches
Cut out dimensions:	3.62 x 3.62 inch
Voltage / Frequency:	24 V DC
Rated current:	0.6 A
Power consumption:	14.4 W
Noise level:	56 dB(A)
Fuse:	1 A (T)
Connection:	Spring clamp

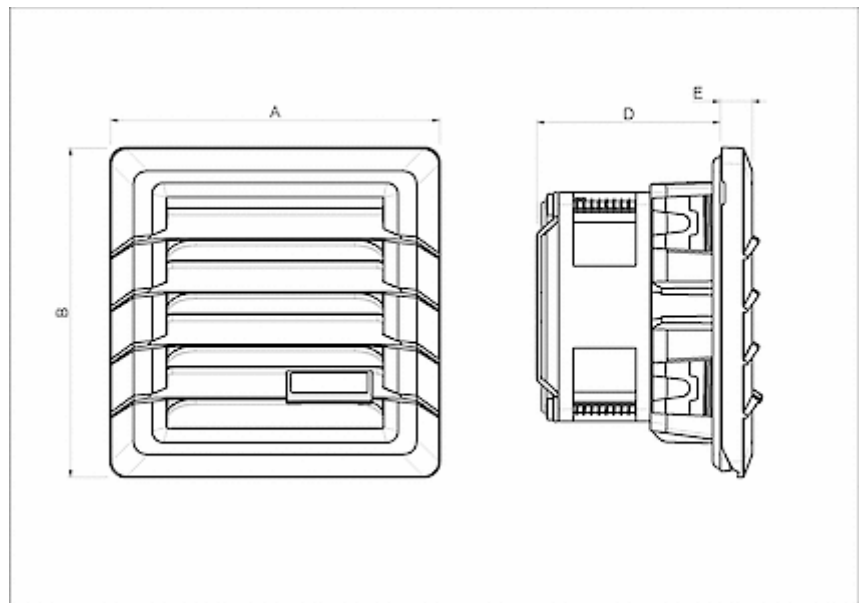
Air flow:



Cooling capacity:



Cut out Dimensions:



Order Information

Order number	IP rating	UL Type	RAL colour	Flow type ¹⁾	Air flow (m ³ /h) ²⁾	Air flow with exhaust filter (m ³ /h)
4711322001	54	12 / 3R	RAL 7035	B	21 m ³ /hr	15 m ³ /hr
4711322003	54	12 / 3R	RAL 9005	B	21 m ³ /hr	15 m ³ /hr
471132R2001	54	12 / 3R	RAL 7035	S	19 m ³ /hr	N/A
471132R2003	54	12 / 3R	RAL 9005	S	19 m ³ /hr	N/A

¹⁾ B = Blowing - from ambient into the enclosure (standard version)
 S = Suction - from enclosure to ambient (on request)

²⁾ unimpeded 50/60 Hz