

Filter fan SF 4714 -100-240V



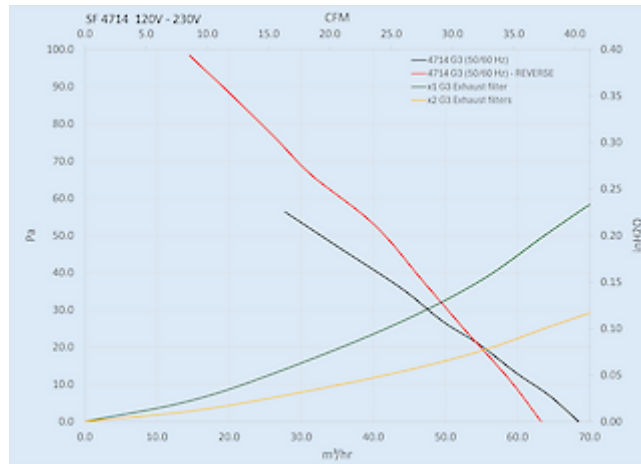
Description

Order Number:	4714833201
Brand Name:	SOLIVENT PRO
Color:	RAL 7035
Housing Material:	PC plastic
Ingress protection to EN 60 529:	IP 54
UL Typ (UL 50E):	12
Approvals:	CE, cURus, cULus
UL File Number:	E498756

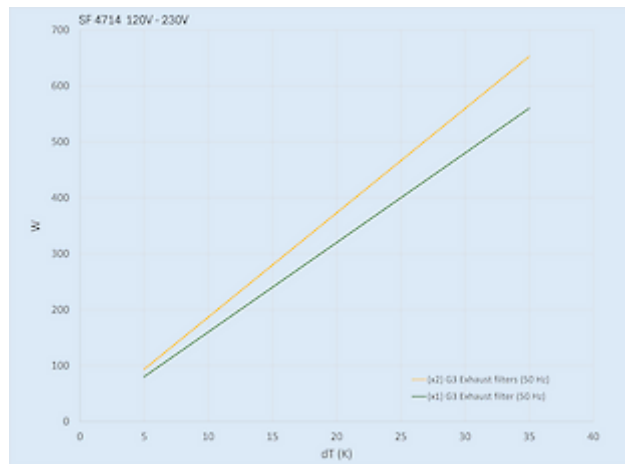
Technical data

Air flow unimpeded IP 54:	40.3 CFM
Air flow with exhaust filter IP 54:	28.0 CFM
Air flow with 2 exhaust filters IP 54:	32.8 CFM
Operating temperature range:	14°F - 131°F
Storage temperature range:	-40°F - 158°F
Mounting:	Wall mounted
Dimension H x W x D:	5.81 × 5.81 × 3.25 inches
Weight:	1.32 lbs.
Cut out dimensions:	4.88 x 4.88 inch
Voltage / Frequency:	100-240 VAC ~ 50/ 60 Hz
Rated current:	0.18 / 0.18 A
Power consumption:	15 / 15 W
Noise level:	51.5 dB(A)
Fuse:	1 A (T)
Connection:	Spring clamp

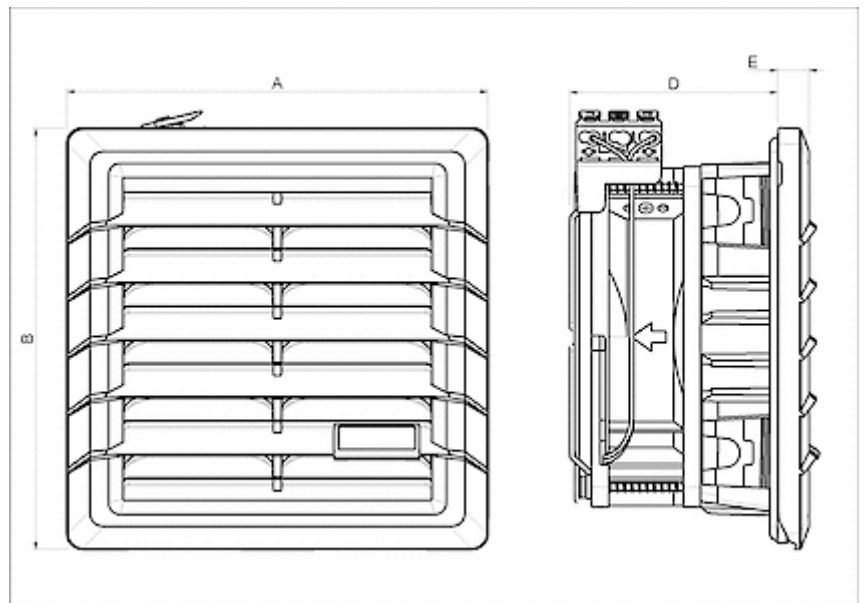
Air flow:



Cooling capacity:



Cut out Dimensions:



Order Information

Order number	IP rating	UL Type	RAL colour	Flow type ¹⁾	Air flow (m ³ /h) ²⁾	Air flow with exhaust filter (m ³ /h)
4714833201	54	12 / 3R	RAL 7035	B	68 m ³ /hr	48 m ³ /hr
4714833203	54	12 / 3R	RAL 9005	B	68 m ³ /hr	48 m ³ /hr
471483R3201	54	12 / 3R	RAL 7035	S	63 m ³ /hr	N/A
471483R3203	54	12 / 3R	RAL 9005	S	63 m ³ /hr	N/A

¹⁾ B = Blowing - from ambient into the enclosure (standard version)
 S = Suction - from enclosure to ambient (on request)

²⁾ unimpeded 50/60 Hz