

Outdoor filter fan SF 4714 - 120V



Description

Order Number:	4714122203
Brand Name:	SOLIVENT PRO
Color:	RAL 9005
Housing Material:	PC plastic
Ingress protection to EN 60 529:	IP 54
UL Typ (UL 50E):	12, 3R
Note:	IP 55 with filter O3 (see manual)
Approvals:	CE, cURus, cULus
UL File Number:	E498756

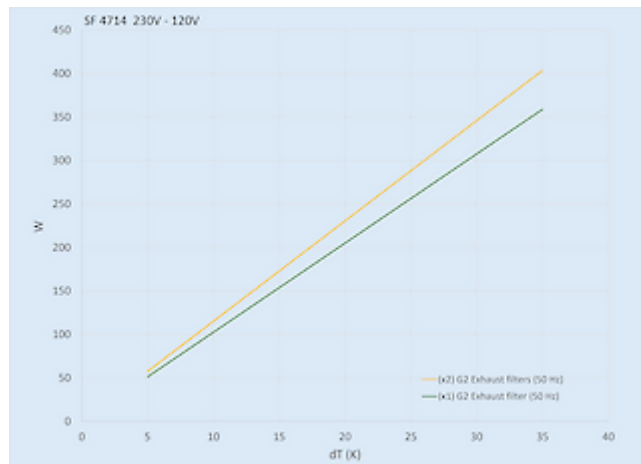
Technical data

Air flow unimpeded IP 54:	25.8 / 27.7 CFM
Air flow with exhaust filter IP 54:	18 / 20.2 CFM
Operating temperature range:	-40°F - 158°F
Storage temperature range:	-40°F - 158°F
Mounting:	Wall mounted
Dimension H x W x D:	5.81 × 5.81 × 3.25 inches
Cut out dimensions:	4.88 x 4.88 inch
Voltage / Frequency:	120 V ~ 50/60 Hz
Rated current:	0.26 / 0.26 A
Power consumption:	21 / 18 W
Noise level:	45 dB(A)
Fuse:	1 A (T)
Connection:	Spring clamp

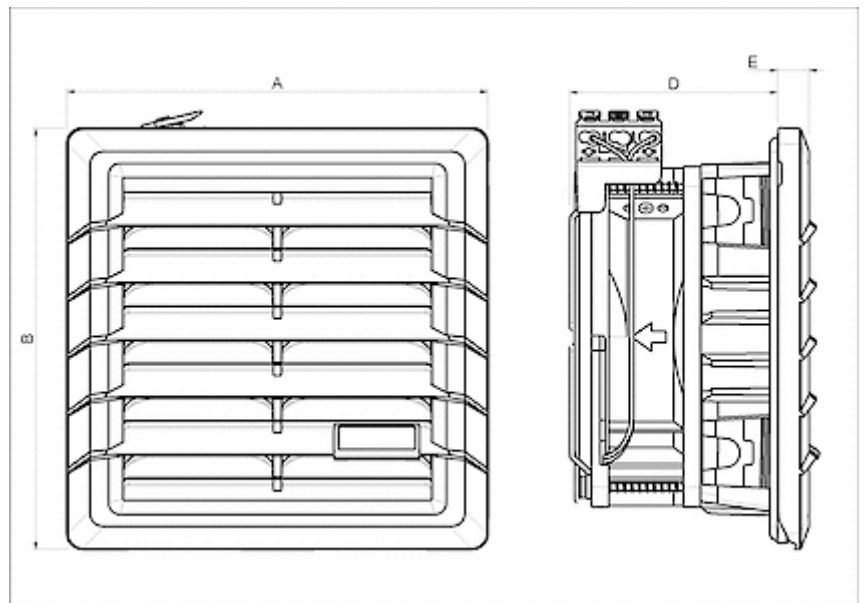
Air flow:



Cooling capacity:



Cut out Dimensions:



Order Information

Order number	IP rating	UL Type	RAL colour	Flow type ¹⁾	Air flow (m ³ /h) ²⁾	Air flow with exhaust filter (m ³ /h)
4714122201	54	12 / 3R	RAL 7035	B	44 / 47 m ³ /hr	31 / 34 m ³ /hr
4714122203	54	12 / 3R	RAL 9005	B	44 / 47 m ³ /hr	31 / 34 m ³ /hr
4714123201	55	12 / 3R	RAL 7035	B	30 / 36 m ³ /hr	23 / 27 m ³ /hr
4714123203	55	12 / 3R	RAL 9005	B	30 / 36 m ³ /hr	23 / 27 m ³ /hr
471412R2201	54	12 / 3R	RAL 7035	S	46 / 51 m ³ /hr	N/A
471412R2203	54	12 / 3R	RAL 9005	S	46 / 51 m ³ /hr	N/A
471412R3201	55	12 / 3R	RAL 7035	S	41 / 44 m ³ /hr	N/A
471412R3203	55	12 / 3R	RAL 9005	S	41 / 44 m ³ /hr	N/A

¹⁾ B = Blowing - from ambient into the enclosure (standard version)
S = Suction - from enclosure to ambient (on request)

²⁾ unimpeded 50/60 Hz