

## Exhaust filter SF 4711



### Description

<b>Order Number:</b>	4711902003
<b>Brand Name:</b>	SOLIVENT PRO
<b>Color:</b>	RAL 9005
<b>Ingress protection to EN 60 529:</b>	IP 54
<b>UL Typ (UL 50E):</b>	12, 3R
<b>Approvals:</b>	CE, cURus, cULus
<b>UL File Number:</b>	E498756

## Technical data

**Air flow unimpeded Type 12:** 139 / 156 CFM

**Operating temperature range:** -14°F - 140°F

**Storage temperature range:** -40°F - 158°F

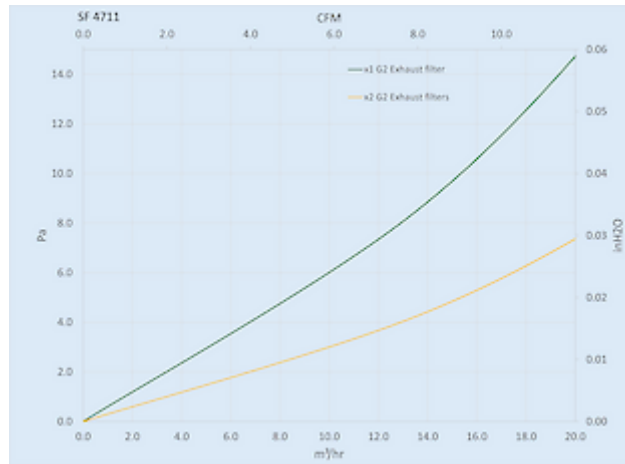
**Mounting:** Wall mounted

**Dimension H x W x D:** 4.55 x 4.55 x 1.4 inch

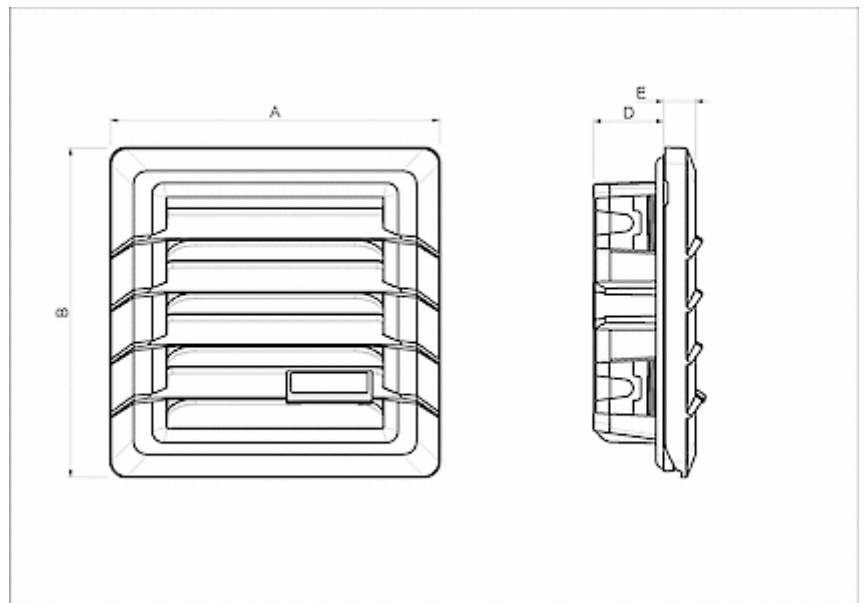
**Weight:** 0.26 lbs.

**Cut out dimensions:** 3.62 x 3.62 inch

**Air flow:**



**Cut out Dimensions:**



## Order Information

Order number	IP rating	UL Type	RAL colour	Flow type <sup>1)</sup>	Air flow (m <sup>3</sup> /h) <sup>2)</sup>	Air flow with exhaust filter (m <sup>3</sup> /h)
4711902001	54	12 / 3R	RAL 7035	N/A	N/A	N/A
4711902003	54	12 / 3R	RAL 9005	N/A	N/A	N/A

<sup>1)</sup> B = Blowing - from ambient into the enclosure (standard version)

S = Suction - from enclosure to ambient (on request)

<sup>2)</sup> unimpeded 50/60 Hz

**Zolltarifnummer**

84145915