

## Exhaust filter for SF 4714



### Description

<b>Order Number:</b>	4714902001
<b>Brand Name:</b>	SOLIVENT PRO
<b>Color:</b>	RAL 7035
<b>Ingress protection to EN 60 529:</b>	IP 54
<b>UL Typ (UL 50E):</b>	12
<b>Approvals:</b>	CE, cURus, cULus
<b>UL File Number:</b>	E498756

## Technical data

**Air flow unimpeded Type 12:** 139 / 156 CFM

**Operating temperature range:** -14°F - 140°F

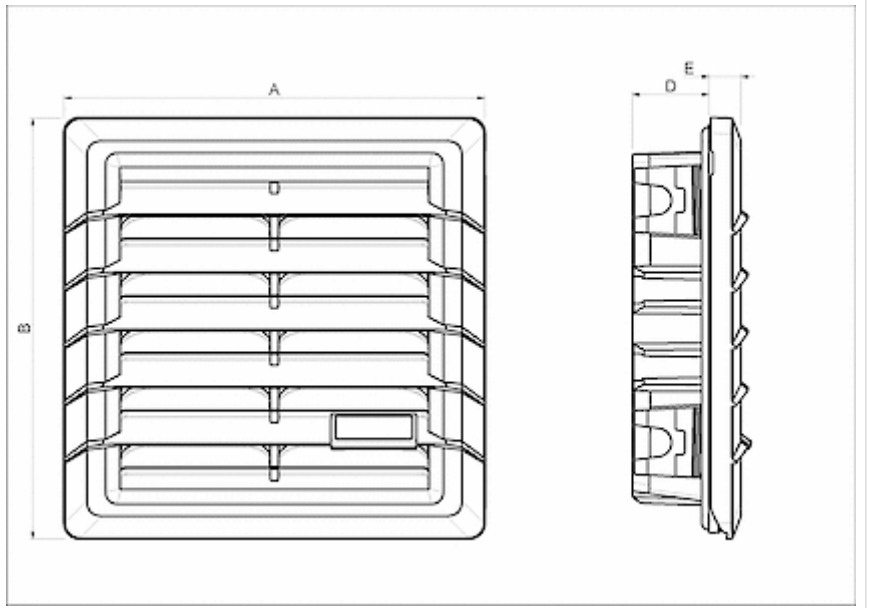
**Storage temperature range:** -40°F - 158°F

**Mounting:** Wandanbau

**Dimension H x W x D:** 5.81 x 5.81 x 1.5 inch

**Weight:** 0.44 lbs.

**Cut out dimensions:** 4.88 x 4.88 inch

**Cut out Dimensions:**

## Order Information

Order number	IP rating	UL Type	RAL colour	Flow type <sup>1)</sup>	Air flow (m <sup>3</sup> /h) <sup>2)</sup>	Air flow with exhaust filter (m <sup>3</sup> /h)
4714902001	54	12 / 3R	RAL 7035	N/A	N/A	N/A
4714902003	54	12 / 3R	RAL 9005	N/A	N/A	N/A
4714903001	55	12 / 3R	RAL 7035	N/A	N/A	N/A
4714903003	55	12 / 3R	RAL 9005	N/A	N/A	N/A

<sup>1)</sup> B = Blowing - from ambient into the enclosure (standard version)  
S = Suction - from enclosure to ambient (on request)

<sup>2)</sup> unimpeded 50/60 Hz

**Zolltarifnummer**

84145915