

Exhaust filter for SF 4714



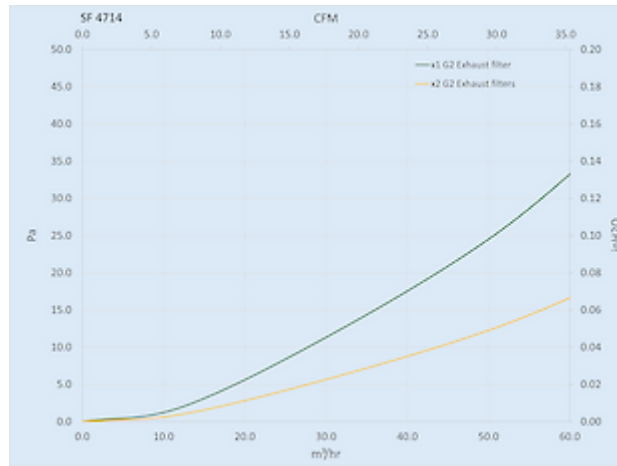
Description

Order Number:	4714902003
Brand Name:	SOLIVENT PRO
Color:	RAL 9005
Ingress protection to EN 60 529:	IP 54
UL Typ (UL 50E):	12, 3R
Approvals:	CE, cURus, cULus
UL File Number:	E498756

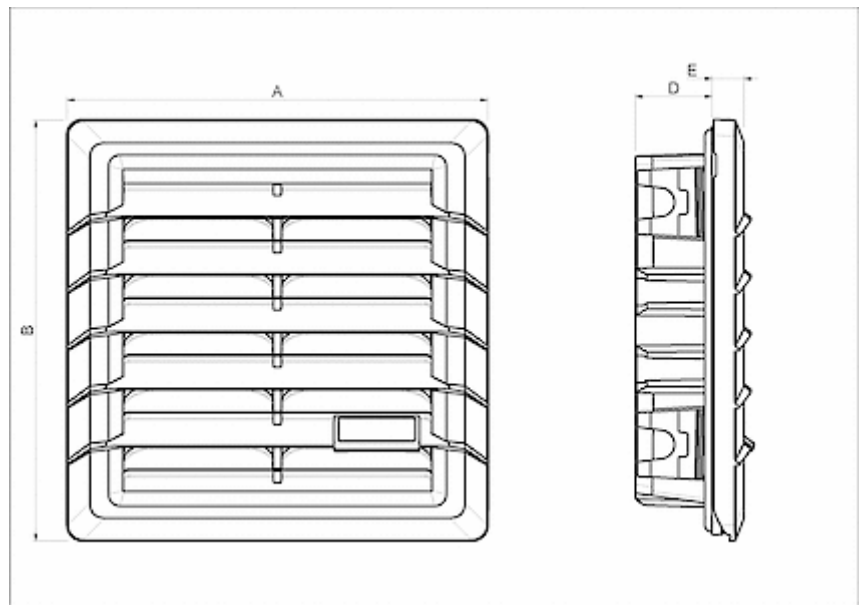
Technical data

Air flow unimpeded Type 12:	139 / 156 CFM
Air flow with pleated filter IP 54:	-40°F - 131°F
Operating temperature range:	-14°F - 140°F
Storage temperature range:	-40°F - 158°F
Mounting:	Wandanbau
Dimension H x W x D:	5.81 x 5.81 x 1.5 inch
Weight:	0.44 lbs.
Cut out dimensions:	4.88 x 4.88 inch

Air flow:



Cut out Dimensions:



Order Information

Order number	IP rating	UL Type	RAL colour	Flow type ¹⁾	Air flow (m ³ /h) ²⁾	Air flow with exhaust filter (m ³ /h)
4714902001	54	12 / 3R	RAL 7035	N/A	N/A	N/A
4714902003	54	12 / 3R	RAL 9005	N/A	N/A	N/A
4714903001	55	12 / 3R	RAL 7035	N/A	N/A	N/A
4714903003	55	12 / 3R	RAL 9005	N/A	N/A	N/A

¹⁾ B = Blowing - from ambient into the enclosure (standard version)
S = Suction - from enclosure to ambient (on request)

²⁾ unimpeded 50/60 Hz

Zolltarifnummer

84145915