

## Exhaust filter for SF 4732



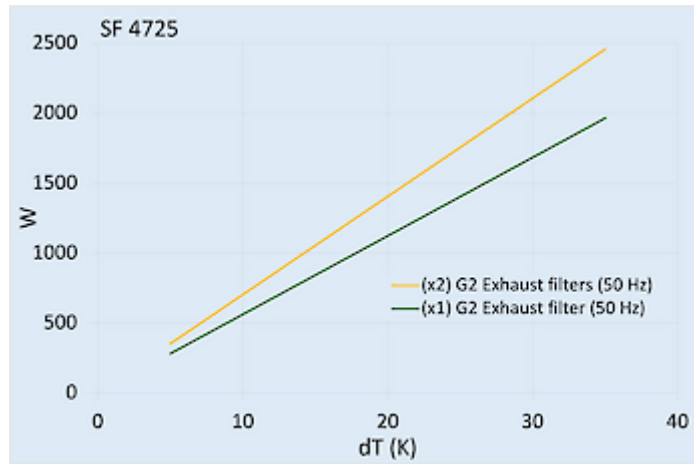
### Description

<b>Order Number:</b>	4732902001
<b>Brand Name:</b>	SOLIVENT PRO
<b>Color:</b>	RAL 7035
<b>Ingress protection to EN 60 529:</b>	IP 54
<b>UL Typ (UL 50E):</b>	12
<b>Approvals:</b>	CE, cURus, cULus
<b>UL File Number:</b>	E498756

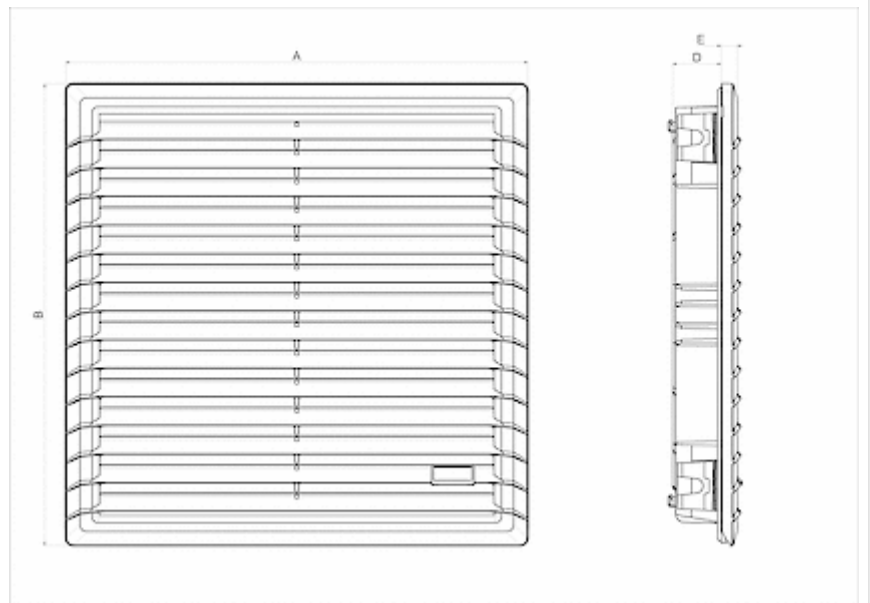
## Technical data

<b>Air flow unimpeded Type 12:</b>	139 / 156 CFM
<b>Operating temperature range:</b>	-14°F - 131°F
<b>Mounting:</b>	Wall mounted
<b>Dimension H x W x D:</b>	12.74 x 12.74 x 1.71 inch
<b>Weight:</b>	2.21 lbs.
<b>Cut out dimensions:</b>	11.5 x 11.5 inch

**Cooling capacity:**



**Cut out Dimensions:**



## Order Information

Order number	IP rating	UL Type	RAL colour	Flow type <sup>1)</sup>	Air flow (m <sup>3</sup> /h) <sup>2)</sup>	Air flow with exhaust filter (m <sup>3</sup> /h)
4732902001	54	12 / 3R	RAL 7035	N/A	N/A	N/A
4732902003	54	12 / 3R	RAL 9005	N/A	N/A	N/A
4732903001	55	12 / 3R	RAL 7035	N/A	N/A	N/A
4732903003	55	12 / 3R	RAL 9005	N/A	N/A	N/A

<sup>1)</sup> B = Blowing - from ambient into the enclosure (standard version)  
S = Suction - from enclosure to ambient (on request)

<sup>2)</sup> unimpeded 50/60 Hz

**Zolltarifnummer**

84145915