

## Exhaust filter for SF 4720



### Description

<b>Order Number:</b>	4720902001
<b>Brand Name:</b>	SOLIVENT PRO
<b>Color:</b>	RAL 7035
<b>Ingress protection to EN 60 529:</b>	IP 54
<b>UL Typ (UL 50E):</b>	12
<b>Approvals:</b>	CE, cURus, cULus
<b>UL File Number:</b>	E498756

## Technical data

**Air flow unimpeded Type 12:** 139 / 156 CFM

**Operating temperature range:** -14°F - 131°F

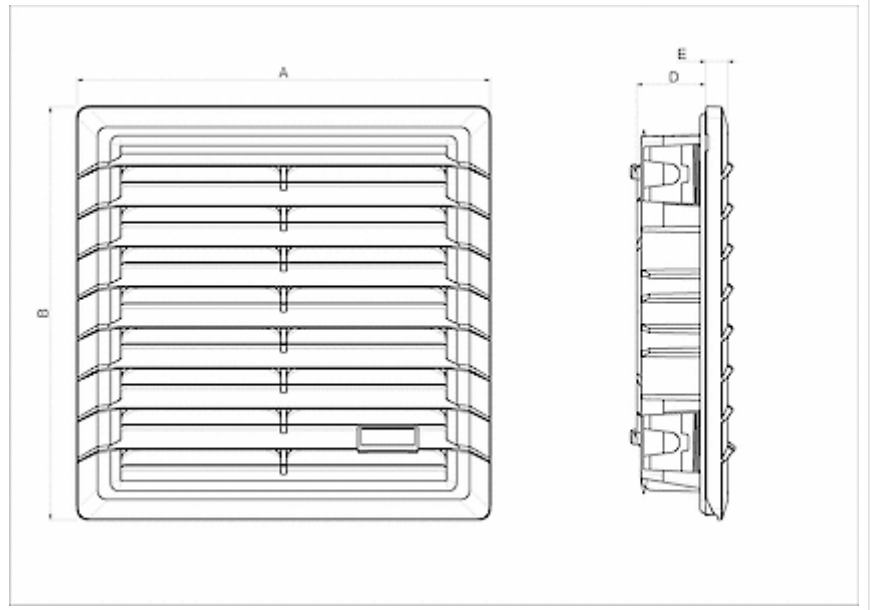
**Storage temperature range:** -40°F - 158°F

**Mounting:** Wall mounted

**Dimension H x W x D:** 8.05 x 8.05 x 1.7 inch

**Weight:** 0.90 lbs.

**Cut out dimensions:** 6.97 x 6.97 inch

**Cut out Dimensions:**

## Order Information

Order number	IP rating	UL Type	RAL colour	Flow type <sup>1)</sup>	Air flow (m <sup>3</sup> /h) <sup>2)</sup>	Air flow with exhaust filter (m <sup>3</sup> /h)
4720902001	54	12 / 3R	RAL 7035	N/A	N/A	N/A
4720902003	54	12 / 3R	RAL 9005	N/A	N/A	N/A
4720903001	55	12 / 3R	RAL 7035	N/A	N/A	N/A
4720903003	55	12 / 3R	RAL 9005	N/A	N/A	N/A

<sup>1)</sup> B = Blowing - from ambient into the enclosure (standard version)  
S = Suction - from enclosure to ambient (on request)

<sup>2)</sup> unimpeded 50/60 Hz

**Zolltarifnummer**

84145915