

Exhaust filter for SF 4720



Description

Order Number:	4720902003
Brand Name:	SOLIVENT PRO
Color:	RAL 9005
Ingress protection to EN 60 529:	IP 54
UL Typ (UL 50E):	12, 3R
Approvals:	CE, cURus, cULus
UL File Number:	E498756

Technical data

Air flow unimpeded Type 12: 139 / 156 CFM

Operating temperature range: -40°F - 131°F

Storage temperature range: -40°F - 158°F

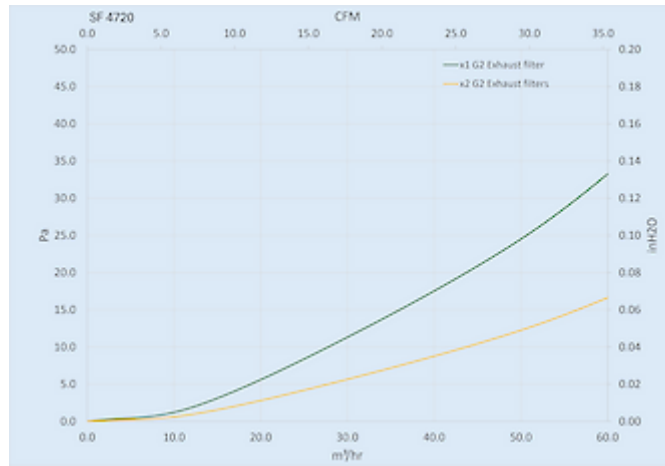
Mounting: Wall mounted

Dimension H x W x D: 8.05 x 8.05 x 1.7 inch

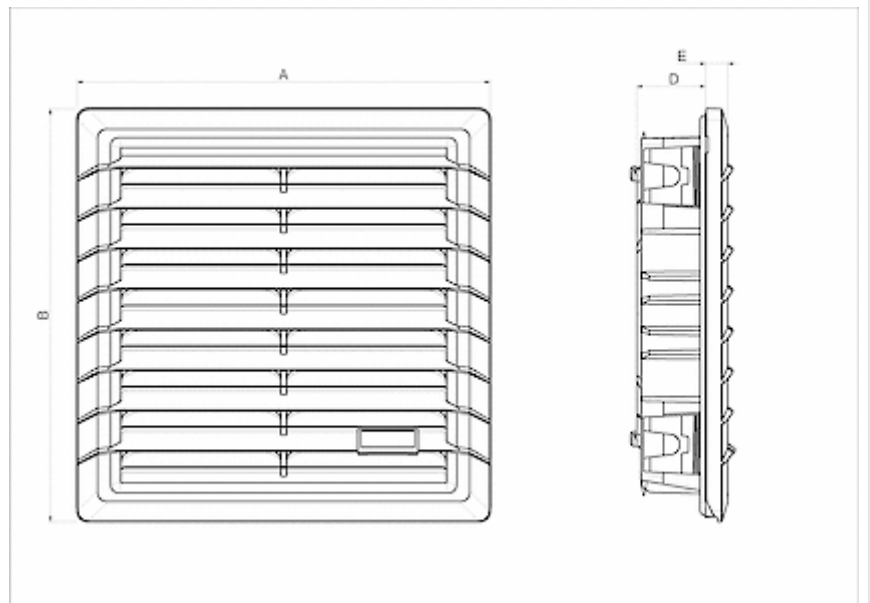
Weight: 0.90 lbs.

Cut out dimensions: 6.97 x 6.97 inch

Air flow:



Cut out Dimensions:



Order Information

Order number	IP rating	UL Type	RAL colour	Flow type ¹⁾	Air flow (m ³ /h) ²⁾	Air flow with exhaust filter (m ³ /h)
4720902001	54	12 / 3R	RAL 7035	N/A	N/A	N/A
4720902003	54	12 / 3R	RAL 9005	N/A	N/A	N/A
4720903001	55	12 / 3R	RAL 7035	N/A	N/A	N/A
4720903003	55	12 / 3R	RAL 9005	N/A	N/A	N/A

¹⁾ B = Blowing - from ambient into the enclosure (standard version)
S = Suction - from enclosure to ambient (on request)

²⁾ unimpeded 50/60 Hz

Zolltarifnummer

84145915