

Filter fan SF SF 4720 - 24V

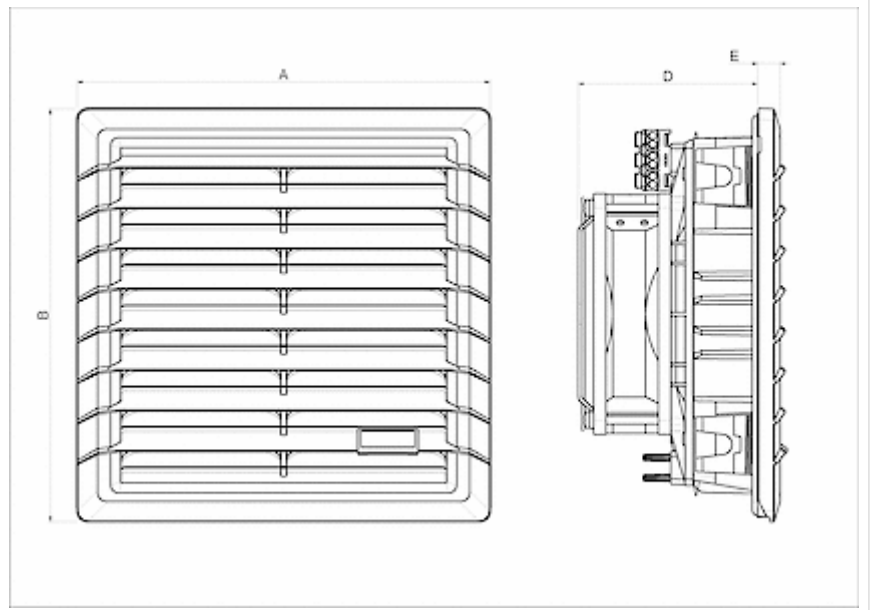


Description

Order Number:	4720352203
Brand Name:	SOLIVENT PRO
Color:	RAL 9005
Housing Material:	PC plastic
Ingress protection to EN 60 529:	IP 54
UL Typ (UL 50E):	12, 3R
Note:	IP 55 with filter O3 (see manual)
Approvals:	CE, cURus, cULus
UL File Number:	E498756

Technical data

Air flow unimpeded IP 54:	76.5 CFM
Air flow with exhaust filter IP 54:	50 CFM
Operating temperature range:	-40°F - 158°F
Storage temperature range:	-40°F - 158 °F
Mounting:	Wall mounted
Dimension H x W x D:	8.05 × 8.05 × 3.89 inches
Weight:	1.80 lbs.
Cut out dimensions:	6.97 x 6.97 inch
Voltage / Frequency:	24 V DC
Rated current:	0.5 A
Power consumption:	12 W
Wall thickness:	0.039 - 0.118 inch
Noise level:	50 dB(A)
Fuse:	1 A (T)
Connection:	Spring terminal

Cut out Dimensions:

Order Information

Order number	IP rating	UL Type	RAL colour	Flow type ¹⁾	Air flow (m ³ /h) ²⁾	Air flow with exhaust filter (m ³ /h)
4720352201	54	12 / 3R	RAL 7035	B	130 m ³ /hr	85 m ³ /hr
4720352203	54	12 / 3R	RAL 9005	B	130 m ³ /hr	85 m ³ /hr
4720353201	55	12 / 3R	RAL 7035	B	113 m ³ /hr	76 m ³ /hr
4720353203	55	12 / 3R	RAL 9005	B	113 m ³ /hr	76 m ³ /hr
472035R2201	54	12 / 3R	RAL 7035	S	N/A	N/A
472035R2203	54	12 / 3R	RAL 9005	S	N/A	N/A
472035R3201	55	12 / 3R	RAL 7035	S	N/A	N/A
472035R3203	55	12 / 3R	RAL 9005	S	N/A	N/A

¹⁾ B = Blowing - from ambient into the enclosure (standard version)
 S = Suction - from enclosure to ambient (on request)

²⁾ unimpeded 50/60 Hz