

## Filter fan SF 4711 - 24V



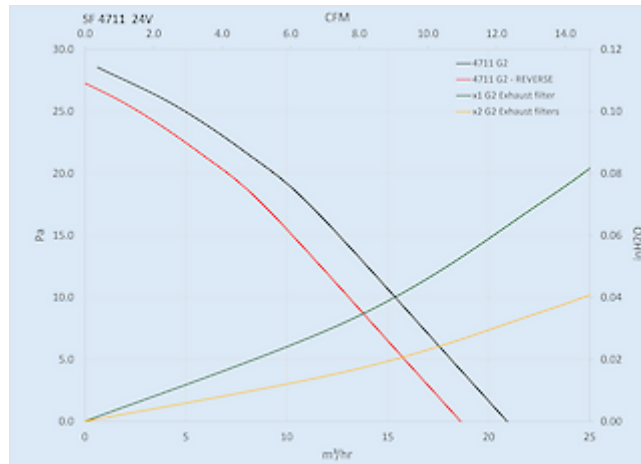
### Description

|   |                  |
|---|------------------|
| <b>Order Number:</b>                    | 4711322003       |
| <b>Brand Name:</b>                      | SOLIVENT PRO     |
| <b>Color:</b>                           | RAL 9005         |
| <b>Housing Material:</b>                | PC plastic       |
| <b>Ingress protection to EN 60 529:</b> | IP 54            |
| <b>UL Typ (UL 50E):</b>                 | 12               |
| <b>Approvals:</b>                       | CE, cURus, cULus |
| <b>UL File Number:</b>                  | E498756          |

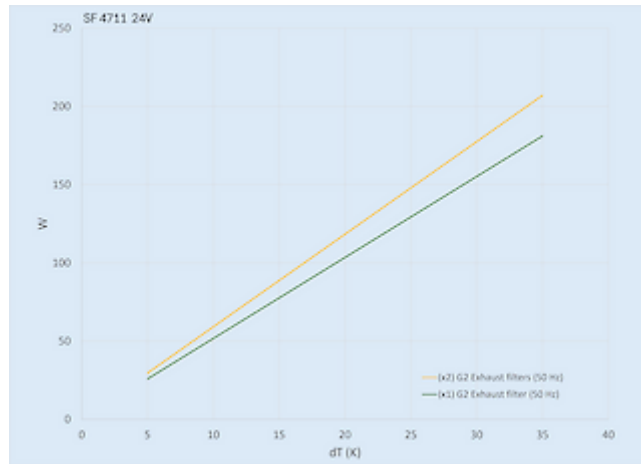
## Technical data

|   |                           |
|---|---------------------------|
| <b>Air flow unimpeded IP 54:</b>              | 12.5 CFM                  |
| <b>Air flow with exhaust filter IP 54:</b>    | 9.1 CFM                   |
| <b>Air flow with 2 exhaust filters IP 54:</b> | 9.5 CFM                   |
| <b>Operating temperature range:</b>           | -40°F - 158°F             |
| <b>Storage temperature range:</b>             | -40°F - 158°F             |
| <b>Mounting:</b>                              | Wall mounted              |
| <b>Dimension H x W x D:</b>                   | 4.55 x 4.55 x 3.17 inches |
| <b>Cut out dimensions:</b>                    | 3.62 x 3.62 inch          |
| <b>Voltage / Frequency:</b>                   | 24 V DC                   |
| <b>Rated current:</b>                         | 0.6 A                     |
| <b>Power consumption:</b>                     | 14.4 W                    |
| <b>Noise level:</b>                           | 56 dB(A)                  |
| <b>Fuse:</b>                                  | 1 A (T)                   |
| <b>Connection:</b>                            | Spring clamp              |

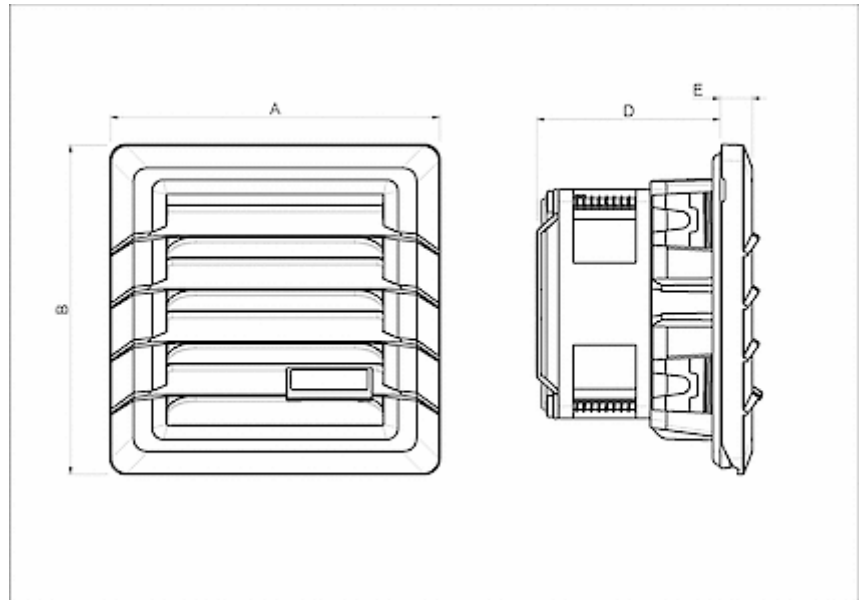
**Air flow:**



**Cooling capacity:**



**Cut out Dimensions:**



## Order Information

| Order number | IP rating | UL Type | RAL colour | Flow type <sup>1)</sup> | Air flow (m <sup>3</sup> /h) <sup>2)</sup> | Air flow with exhaust filter (m <sup>3</sup> /h) |
|--------------|-----------|---------|------------|-------------------------|--|--|
| 4711322001   | 54        | 12 / 3R | RAL 7035   | B                       | 21 m <sup>3</sup> /hr                      | 15 m <sup>3</sup> /hr                            |
| 4711322003   | 54        | 12 / 3R | RAL 9005   | B                       | 21 m <sup>3</sup> /hr                      | 15 m <sup>3</sup> /hr                            |
| 471132R2001  | 54        | 12 / 3R | RAL 7035   | S                       | 19 m <sup>3</sup> /hr                      | N/A  |
| 471132R2003  | 54        | 12 / 3R | RAL 9005   | S                       | 19 m <sup>3</sup> /hr                      | N/A  |

<sup>1)</sup> B = Blowing - from ambient into the enclosure (standard version)  
 S = Suction - from enclosure to ambient (on request)

<sup>2)</sup> unimpeded 50/60 Hz